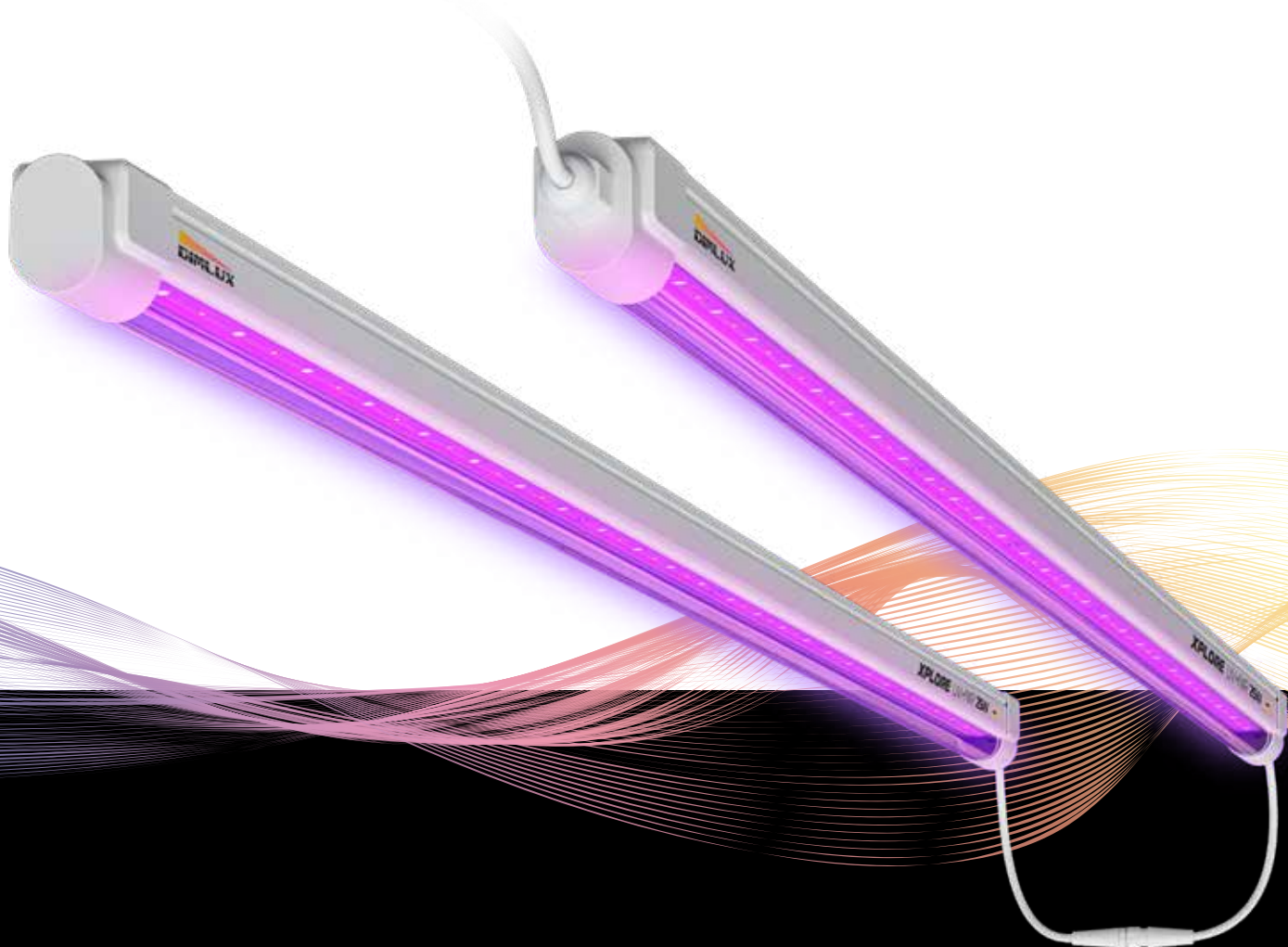


DIMLUX

XPLORE NIR+UV ADD-ON 2X 25W LED
XPLORE NIR ADD-ON 2X 25W LED
XPLORE UV ADD-ON 2X 25W LED
MANUAL



USER MANUAL

Engineered & Designed in Holland

www.dimlux.nl

KNOWLEDGE BASE

Direct link:

www.dimlux.nl/knowledge-base

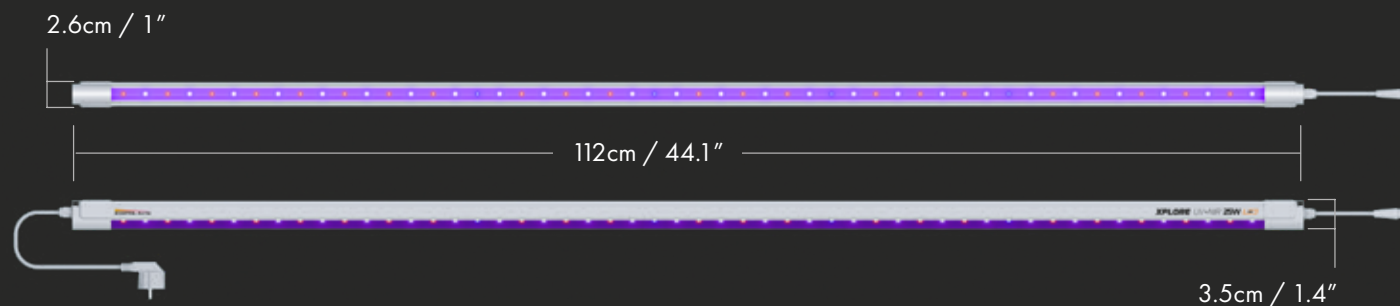


Scan the QR-code to go to our online knowledge base with more tutorials and videos.

SPECIFICATIONS

XPLORE SERIES	UV 25W LED	NIR 25W LED	UV+NIR 25W LED
Light Source	25W x2 LED	25W x2 LED	25W x2 LED
Total Photon Efficacy (PPE 350-800nm)	0.86 $\mu\text{mol}/\text{J}$	1.65 $\mu\text{mol}/\text{J}$	1.93 $\mu\text{mol}/\text{J}$
Light Output Total (PPF 350-800nm)	43 $\mu\text{mol}/\text{s}$	82.5 $\mu\text{mol}/\text{s}$	96.7 $\mu\text{mol}/\text{s}$
Light color	10.000K	1.000K	10.000K
AC Input Voltage	120-277V AC, 50/60Hz		
Rcmd Mounting Height	50-75cm / 20-30"		
Rcmd UV+NIR spacing	50-75cm / 20-30" Between Each bar		
Max. Ambient Temperature	40°C / 105°F		
Light scattering angles	120°		
Connect up to	max. 40		
Lifetime L90	> 50,000hrs		
Measurements	1120x26x35mm / 44.1"x1"x1.4"		
IP Rating IP66	IP66		
Certifications	CE		
Warranty 3 Year Standard	3 Year Standard		

MEASUREMENTS

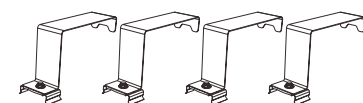


SYSTEM HARDWARE & ACCESSORIES

(Depending on your product selection at the time of purchase)



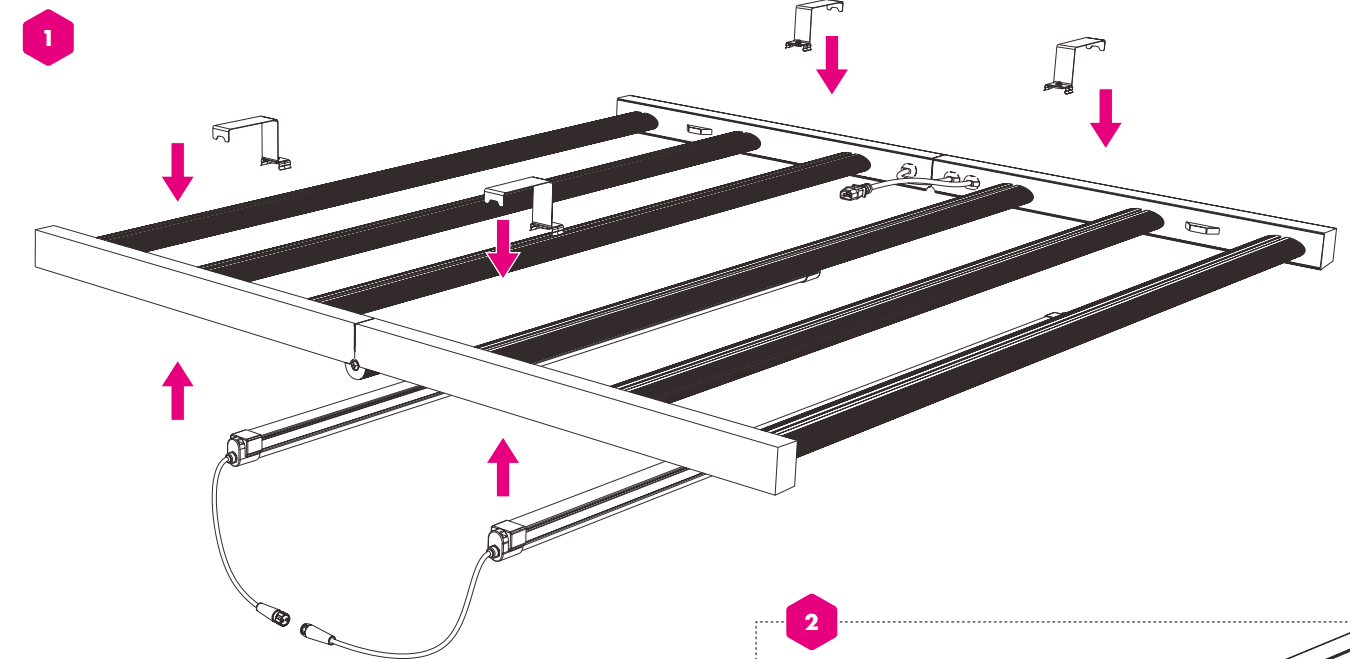
2x Dimlux Xplore 25W UV/FR
Supplementary Light Bar



4x Mounting Brackets

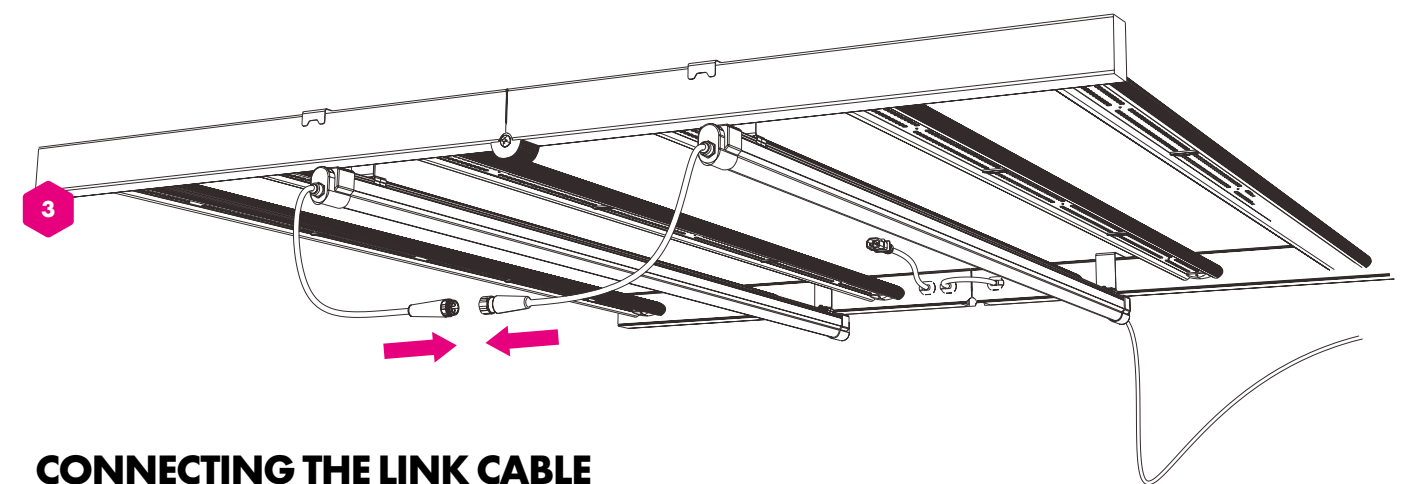
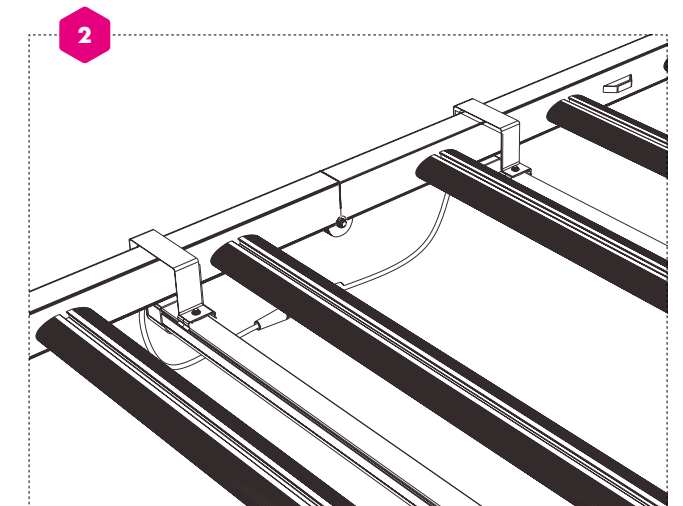
READ THIS FIRST

1. Risk of fire or electric shock: turn of power before installing.
2. Always use product with safe working load.
3. Designed for statically positioned hanging. Do not use for lifting or with dynamic positioning.
4. Do not stand or walk on product.
5. Always use manufacturer supplied and specified cables. Never use barb wire.
6. Do not apply oil or any other lubricant to the fastener or any other part of the cable assembly.
7. Read instructions before installation.



HOW TO PLACE THE SUPPLEMENTARY LIGHT BAR

- 1 Place the mounting brackets over the LED frame from above.
- 2 Place the Supplementary Light Bar from below and connect them with the mounting brackets by using the screws.

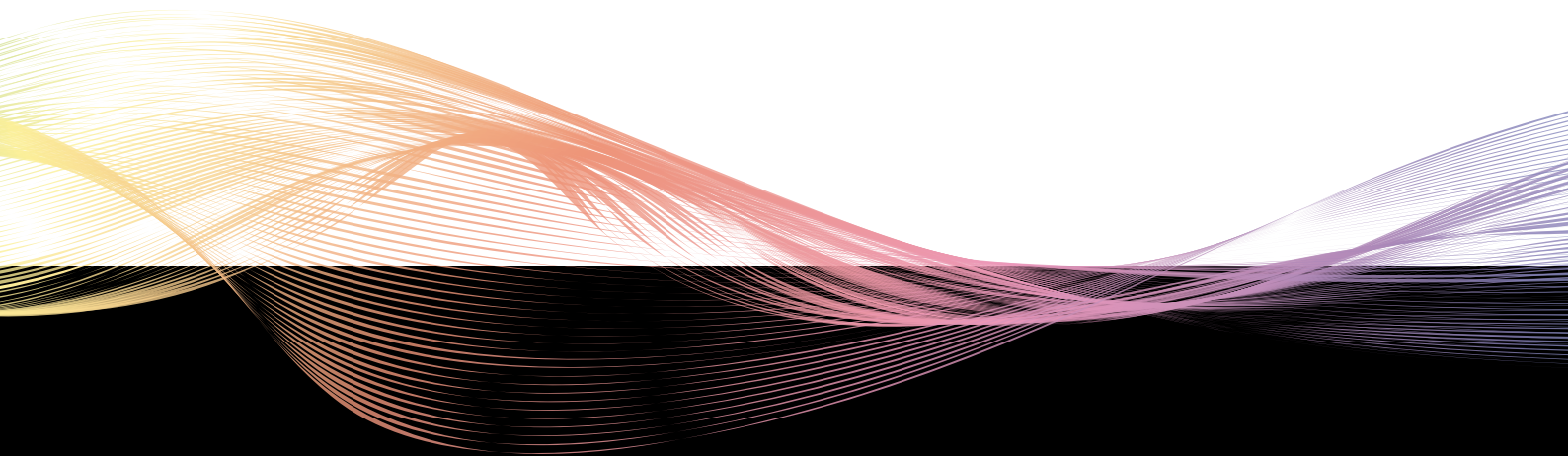


CONNECTING THE LINK CABLE

- 3 Connect the male and female connector of both Supplementary Light Bars

DIMLUX

XPLORE NIR+UV ADD-ON 2X 25W LED
XPLORE NIR ADD-ON 2X 25W LED
XPLORE UV ADD-ON 2X 25W LED
MANUAL



USER MANUAL

Engineered & Designed in Holland

www.dimlux.nl

Manual version 0101 2024

The DIMLUX logo, featuring the word "DIMLUX" in a bold, sans-serif font. Above the letters "I" and "M", there is a horizontal bar with a gradient from yellow to orange to red.

**THE FUTURE OF GROWING
JUST GOT BRIGHTER.**